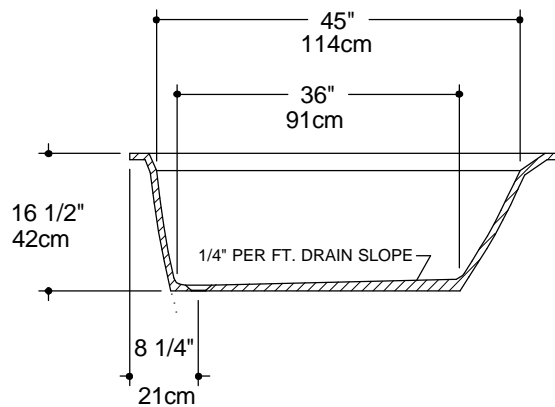
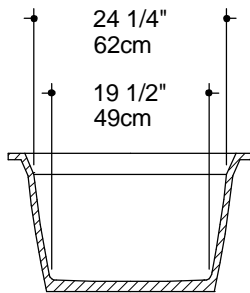
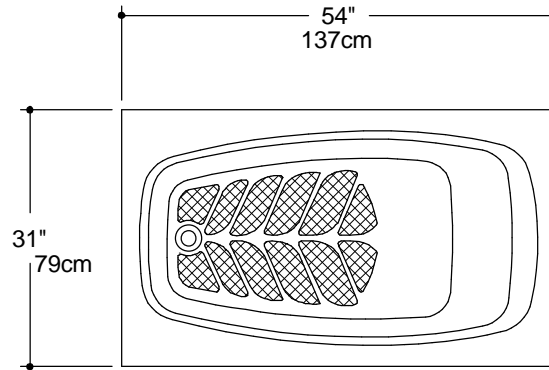


**MK33**



GRUBER SYSTEMS RESERVES THE RIGHT TO CHANGE THIS INFORMATION AT ANY TIME WITHOUT PRIOR NOTICE. ISSUED BY GRUBER SYSTEMS INC., 25636 AVENUE STANFORD, VALENCIA, CA 91355, USA. COPYRIGHT 2002

MOLD PART	CATALOG No.	DESCRIPTION
MALE	<b>29033</b>	<b>MK 33 MALE</b>
FEMALE	<b>490338</b>	<b>F- MK 33 ONE PIECE</b>
ULFF	<b>490339</b>	<b>ULFF MK 33 - 1/2"</b>
ULFF INSERT	<b>4903391</b>	<b>ULFF MK 33 - 1/2" INSERT</b>
NAME	<b>MARK 33 BATHTUB 54" X 31" X 16 1/2" (137cm X 79cm X 42cm)</b>	
CAST WEIGHT	SCALE <b>1/2" = 1" 0"</b>	DATE <b>8-30-02</b> PAGE No. <b>T-24</b>