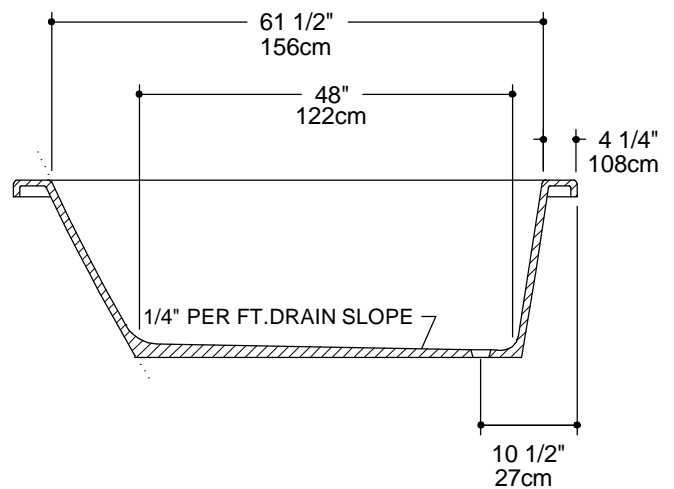
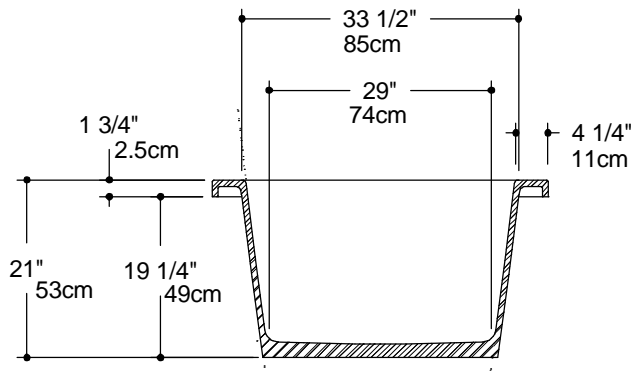
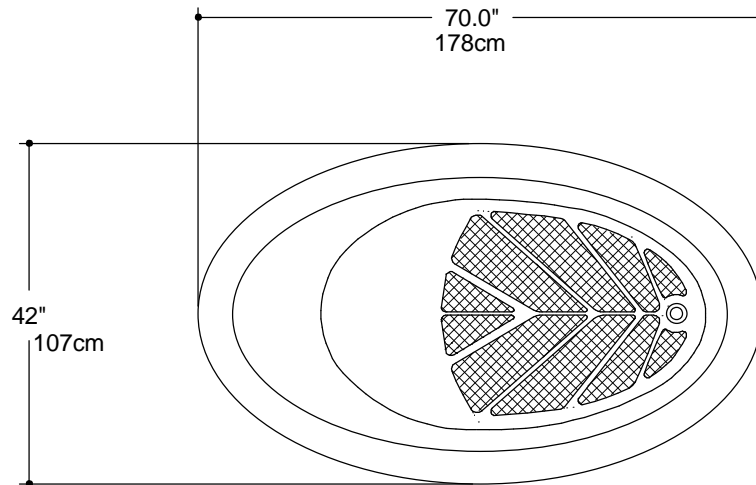


MK29



GRUBER SYSTEMS RESERVES THE RIGHT TO CHANGE THIS INFORMATION AT ANY TIME WITHOUT PRIOR NOTICE. ISSUED BY GRUBER SYSTEMS INC., 25636 AVENUE STANFORD, VALENCIA, CA 91355, USA. COPYRIGHT 2002

MOLD PART	CATALOG No.	DESCRIPTION
MALE	29029	MK 29 MALE
FEMALE	490298	F- MK 29 ONE PIECE
TURTLE	490293	F- MK29 INSERT
ULFF	4909299	ULFF- MK 29 FEMALE
ULFF INSERT	4902991	MARK 29 ULFF INSERT
SPEEDY PLUG	29129	SPEEDY PLUG
NAME	MARK 29 SELF RIMMING TUB 70" X 42" X 21" (178cm X 107cm X 53cm)	
CAST WEIGHT	SCALE 1/2" = 1' 0"	DATE 8-30-02
		PAGE No. T-20