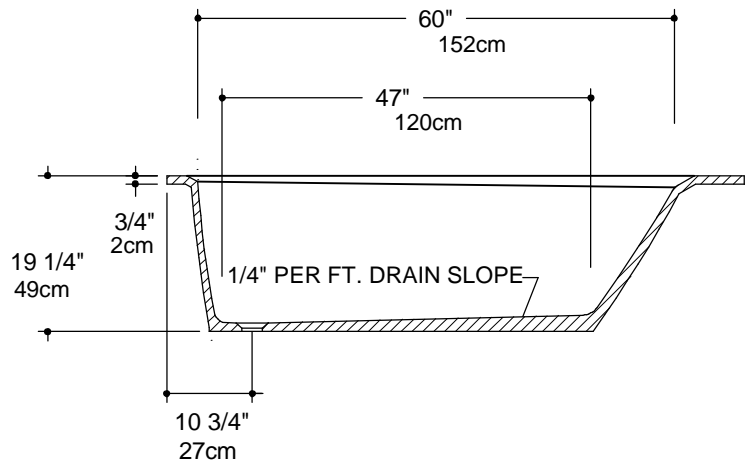
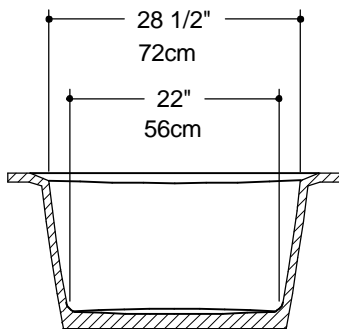
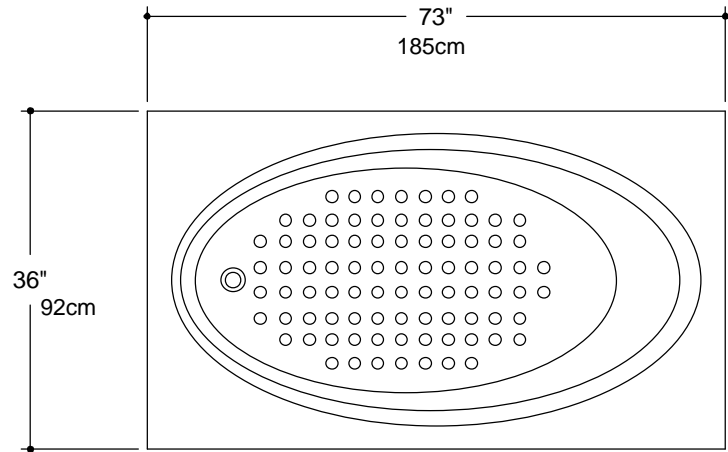


MK22



GRUBER SYSTEMS RESERVES THE RIGHT TO CHANGE THIS INFORMATION AT ANY TIME WITHOUT PRIOR NOTICE. ISSUED BY GRUBER SYSTEMS INC., 25636 AVENUE STANFORD, VALENCIA, CA 91355, USA. COPYRIGHT 2002

MOLD PART	CATALOG No.	DESCRIPTION
MALE	29022	MK 22 MALE
FEMALE	490228	F- MK 22 ONE PIECE
2PC FEM DECK	490221	F- MK 22 DECK
2PC FEM BOT	490222	F- MK 22 BOTTOM
TURTLE	490223	F- MARK 22 TURTLE
ULFF	490229	ULFF - MARK 22 1/2"
ULFF INSERT	4902291	ULFF MARK 17 INSERT 1/2"
SPEEDY PLUG	29122	MARK 22 SPEEDY PLUG
NAME	MK 22 BATHTUB 73" X 36 1/4" X 19 1/4" (185cm X 92cm X 49cm)	
CAST WEIGHT	SCALE 1/2" = 1' 0"	DATE 8-30-02 PAGE No. T-13