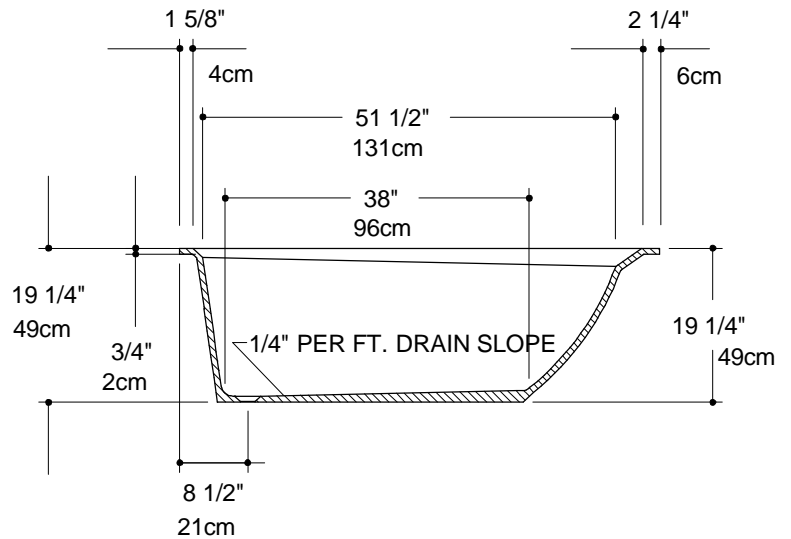
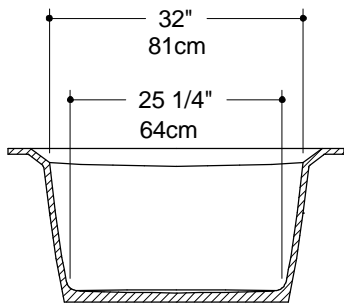
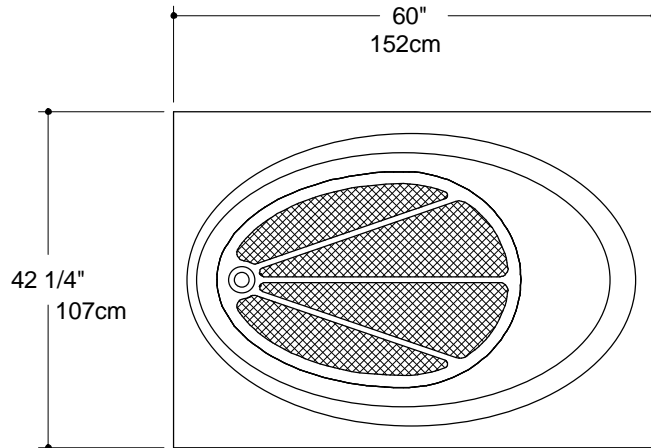


MK21-98



GRUBER SYSTEMS RESERVES THE RIGHT TO CHANGE THIS INFORMATION AT ANY TIME WITHOUT PRIOR NOTICE. ISSUED BY GRUBER SYSTEMS INC., 25636 AVENUE STANFORD, VALENCIA, CA 91355, USA. COPYRIGHT 2002

MOLD PART	CATALOG No.	DESCRIPTION
MALE	29021-98	MK 21 MALE WITH TEXTURED BOTTOM PATTERN
FEMALE	490218	F-MK 21 FOR STANDARD 3/4" WALL THICKNESS
FEMALE	490219	ULFF F-MK 21 FOR 1/2" WALL THICKNESS
INSERT	4902191	ULFF INSERT MK 21 INSERT
NAME	MK 21 BATHTUB WITH TEXTURED PATTERN	
CAST WEIGHT	SCALE 1/2" = 1'0"	DATE 8-30-02
		PAGE No. T-12A