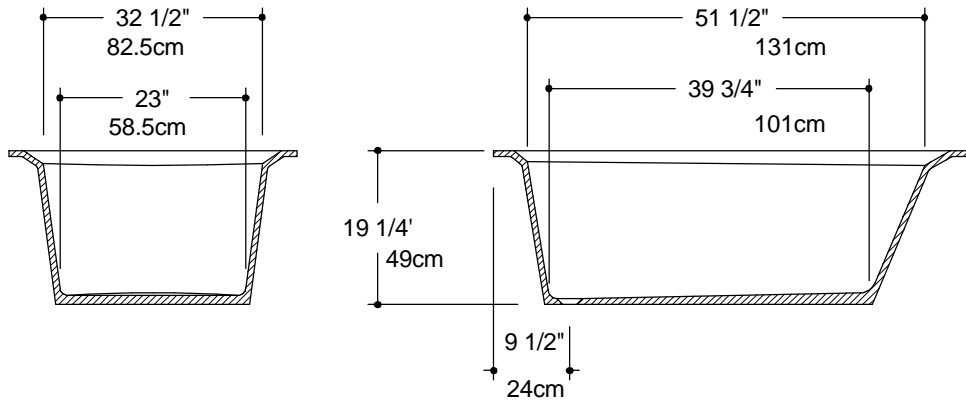
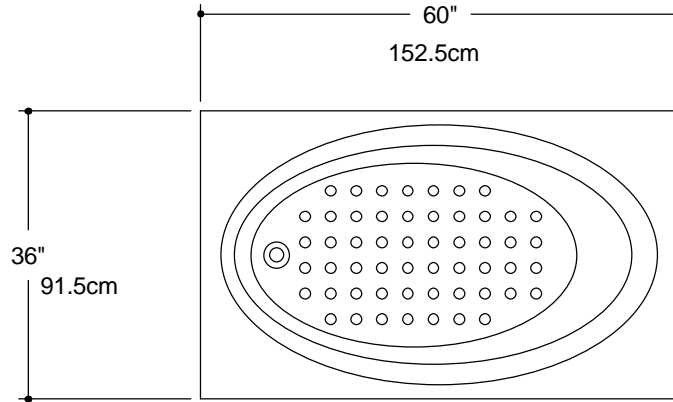


GRUBER SYSTEMS RESERVES THE RIGHT TO CHANGE THIS INFORMATION AT ANY TIME WITHOUT PRIOR NOTICE. ISSUED BY GRUBER SYSTEMS INC., 25636 AVENUE STANFORD, VALENCIA, CA 91355, USA. COPYRIGHT 2002



MOLD PART	CATALOG No.	DESCRIPTION
MALE	29019	MK 19 MALE
FEMALE	490198	F MK 19 ONE PIECE
FEMALE	490199	ULFF MK 19-1/2" WALL
NAME	MK 19 BATHTUB 60" X 36" X 19 1/4" (152.5cm X 91.5cm X 49cm)	
CAST WEIGHT	SCALE 1/2" = 1' 0"	DATE 1-1-03 PAGE No.