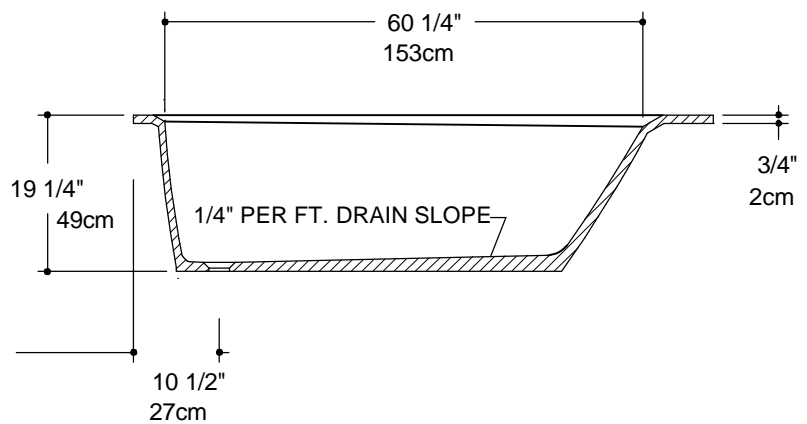
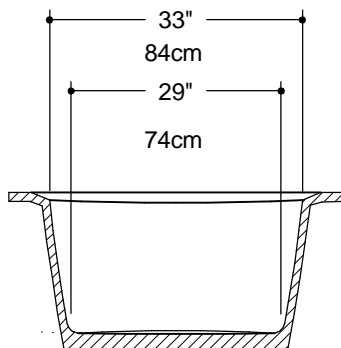
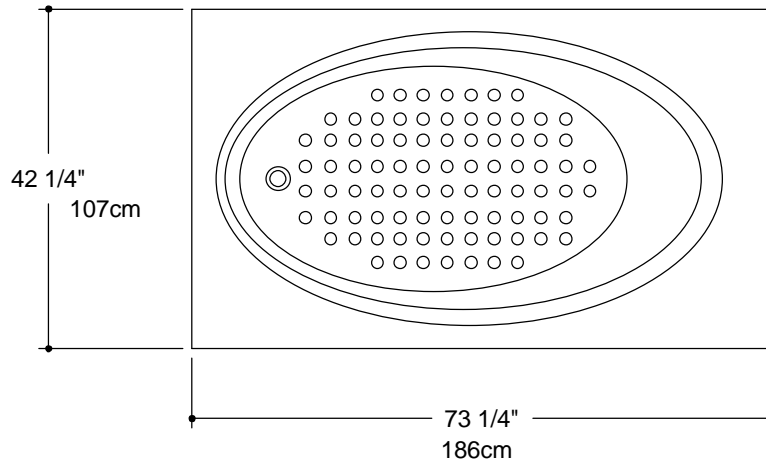


MK17



MOLD PART	CATALOG No.	DESCRIPTION
MALE	29017	MK 17 MALE
FEMALE	490178	F- MK 17 ONE PIECE
2PC FEM DECK	490171	F- MK 17 DECK
2PC FEM BOT	490172	F- MK 17 BOTTOM
TURTLE	490173	F- MARK 17/28 TURTLE
ULFF	490179	ULFF - MARK 1/2" WALL
ULFF INSERT	4901791	ULFF MARK 17 INSERT 1/2"
SPEEDY PLUG	29110	MARK 17/28 SPEEDY PLUG
NAME	MK17 BATHTUB 73 1/4" X 42 1/4" X 19 1/4" (186cm X 107cm X 49cm)	
CAST WEIGHT	SCALE 1/2" = 1' 0"	DATE 8-30-02 PAGE No. T-8