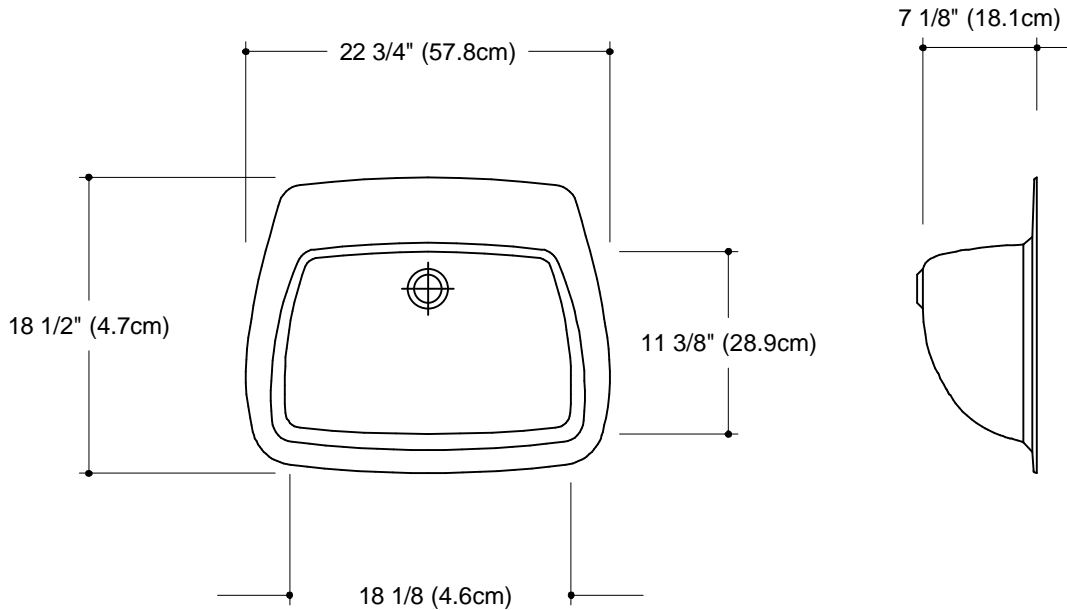


GRUBER SYSTEMS RESERVES THE RIGHT TO CHANGE THIS INFORMATION AT ANY TIME WITHOUT PRIOR NOTICE. ISSUED BY GRUBER SYSTEMS INC., 25636 AVENUE STANFORD, VALENCIA, CA 91355, USA. COPYRIGHT 2002



MOLD PART	CATALOG No.	DESCRIPTION
MALE	<b>20090</b>	<b>108-RL ROYALE LARGE</b>
	<b>20002MA</b>	<b>ACCUCAST BOWL TEMP.108-RL</b>
FEMALE	<b>400907</b>	<b>F-108-ROYAL LARGE</b>
	<b>400337</b>	<b>F-108-RL NO OVFLW</b>
	<b>40010MA</b>	<b>F-108 ROYAL LARGE ACCUCAST</b>
	<b>400908</b>	<b>F-RL SUPPORT</b>
PERMANENT HATS	<b>002252</b>	<b>PH-RL</b>
	<b>002254</b>	<b>PH RL NO OVERFLOW</b>
REUSABLE HATS	<b>013693</b>	<b>RH-RL</b>
	<b>013694</b>	<b>RH-RL-NO OVERFLOW</b>
	<b>013693UN</b>	<b>RH-RL UNTRIMMED</b>
NAME	<b>108 ROYALE LARGE</b>	
CAST WEIGHT	SCALE 1" = 1'0"	DATE 8-30-02
		PAGE No. <b>BF-8</b>