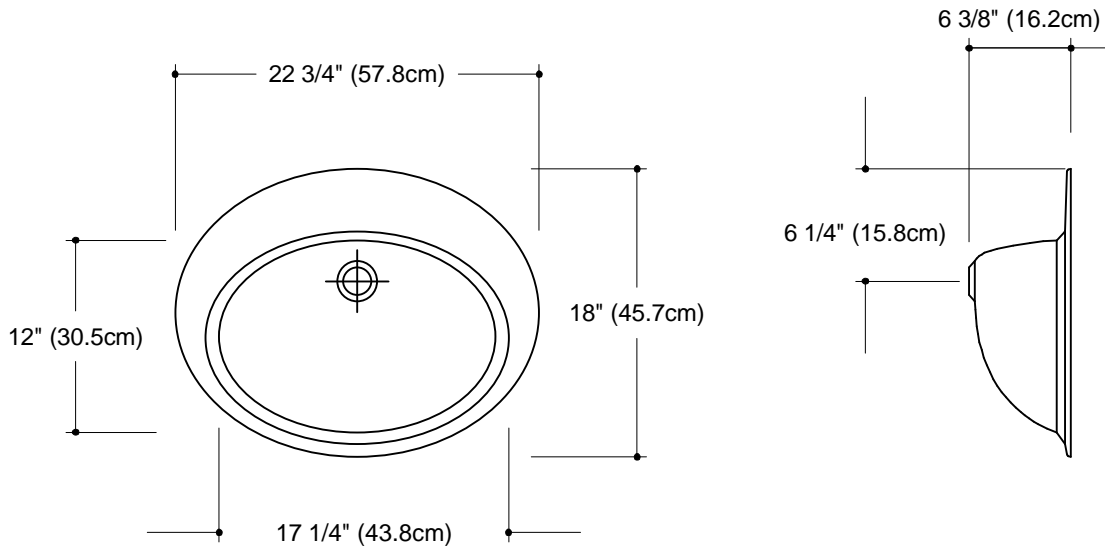


GRUBER SYSTEMS RESERVES THE RIGHT TO CHANGE THIS INFORMATION AT ANY TIME WITHOUT PRIOR NOTICE. ISSUED BY GRUBER SYSTEMS INC., 25636 AVENUE STANFORD, VALENCIA, CA 91355, USA. COPYRIGHT 2002



MOLD PART	CATALOG No.	DESCRIPTION
MALE	20028	108-N LAGUNA
	20009MA	ACCUCAST BWL. TEMP LN
FEMALE	400287	F-108-N/ NS LAGUNA
	400288	F-108-N/ NS LAGUNA NO OVERFLOW
	400014	V-FFL-N/NS 1/2 EXT. OVERFLOW
	400357	V-FFF-N SUPPORT
	40009A	ACC ULFF-N
	400020MA	M-FFL-N W 1/2RD OVL ACC
PERMANENT HATS	002560	PH-N TEXAS
	002842	PH-N/ NS NO OVERFLOW
	00281	PH-N/ X SQ. NO FAUCET LND.
	00283	PH-N/ NS SQUARE
	002831	PH-N SQ. OVERSIZED
	00284	PH-N/ NS (OVAL PORT)
	00341	PFH-COMP-N
	00344	PH-COM-N-NO OVERFLOW
REUSABLE HATS	01362	RH-N/ NS OVAL
	013680	RH-N-NO OVERFLOW
	013622	RH-N-SQ. OVERSIZE FROM PH
	013622N	RH-N-N SQUARE
NAME	108-N LAGUNA	
CAST WEIGHT	SCALE 1" = 1' 0"	DATE 8-30-02 PAGE No. BF-27